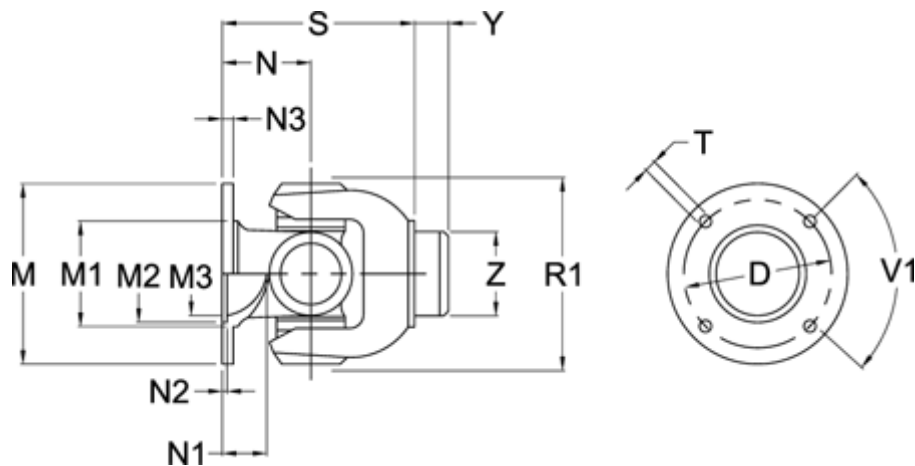


Article number: 07111056001

Description: Universal joint single 0.111.056.001  
S=119 X= Bore with keyway

## Measures



D	= 101,5 $\pm$ 0,1	N2	= 2,5 $\pm$ 0,5	Z = 71.25
Flange diameter M	= 120	N3	= 8	
M1	= 80.5	Number of Flangeholes	= 8	
M2	= 75	R1	= 98	
M3	= 61	S min	= 119	
Max. Bending Angle degrees	= 35	T	= 8 B12	
N	= 46	V1 degrees	= 45	
N1	= 22	Y	= 10	